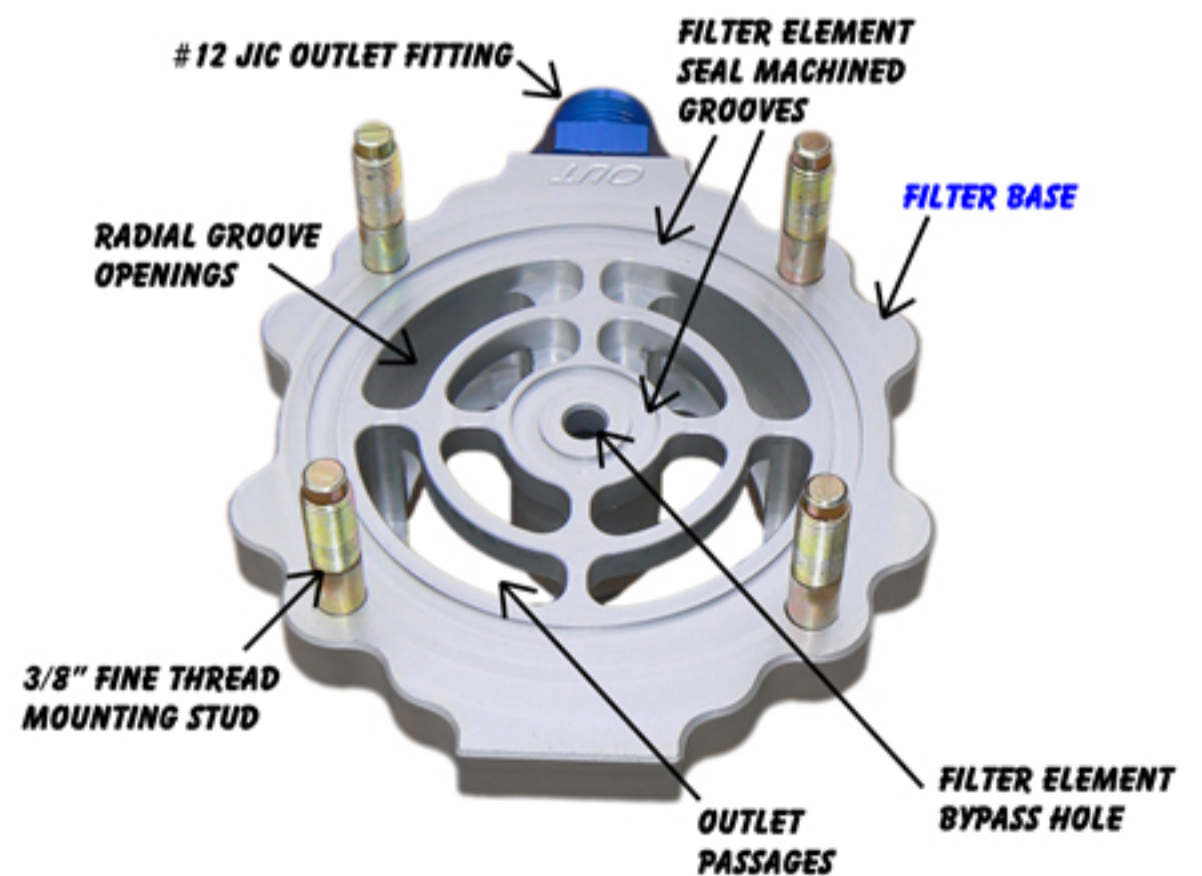
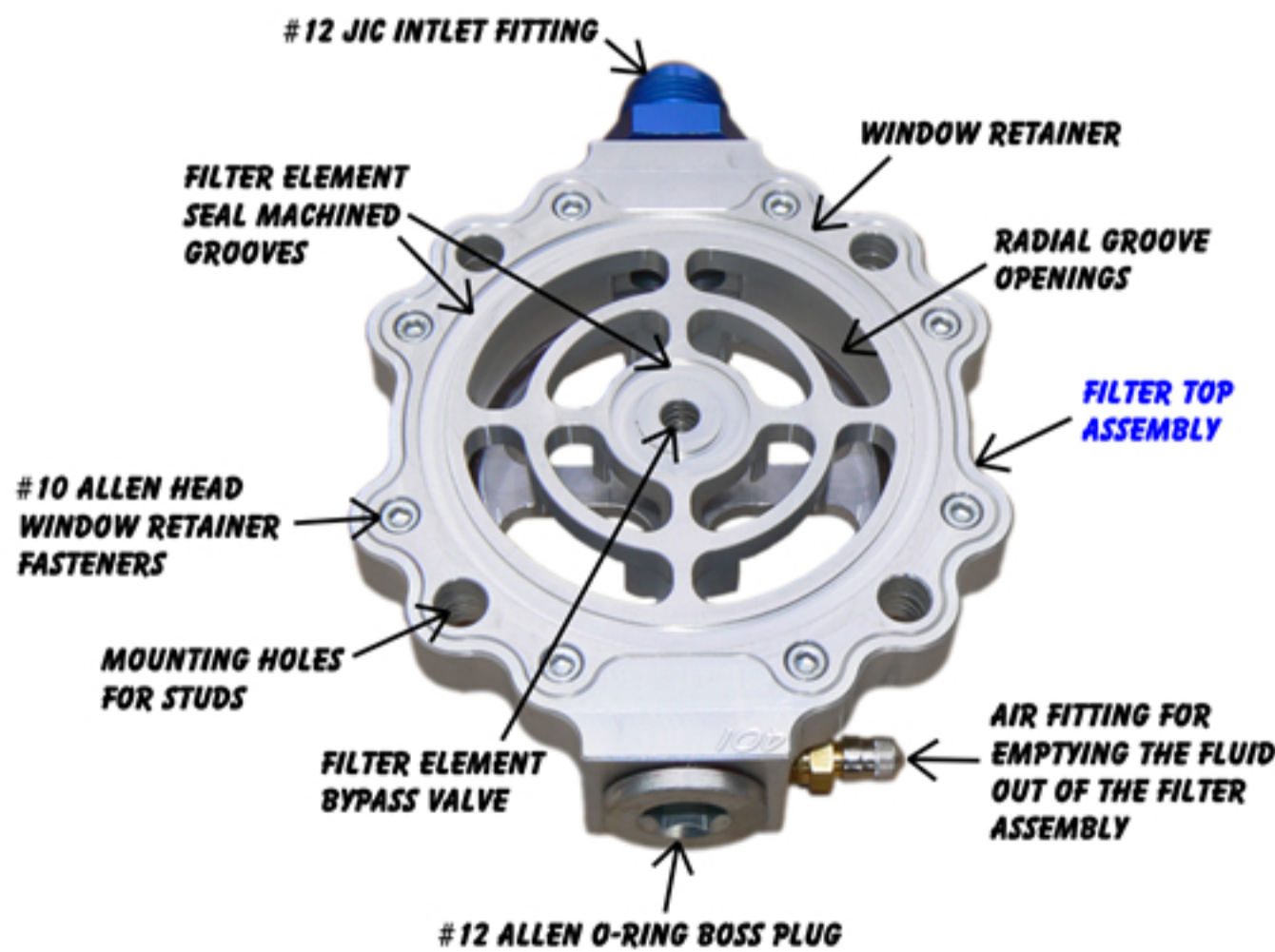
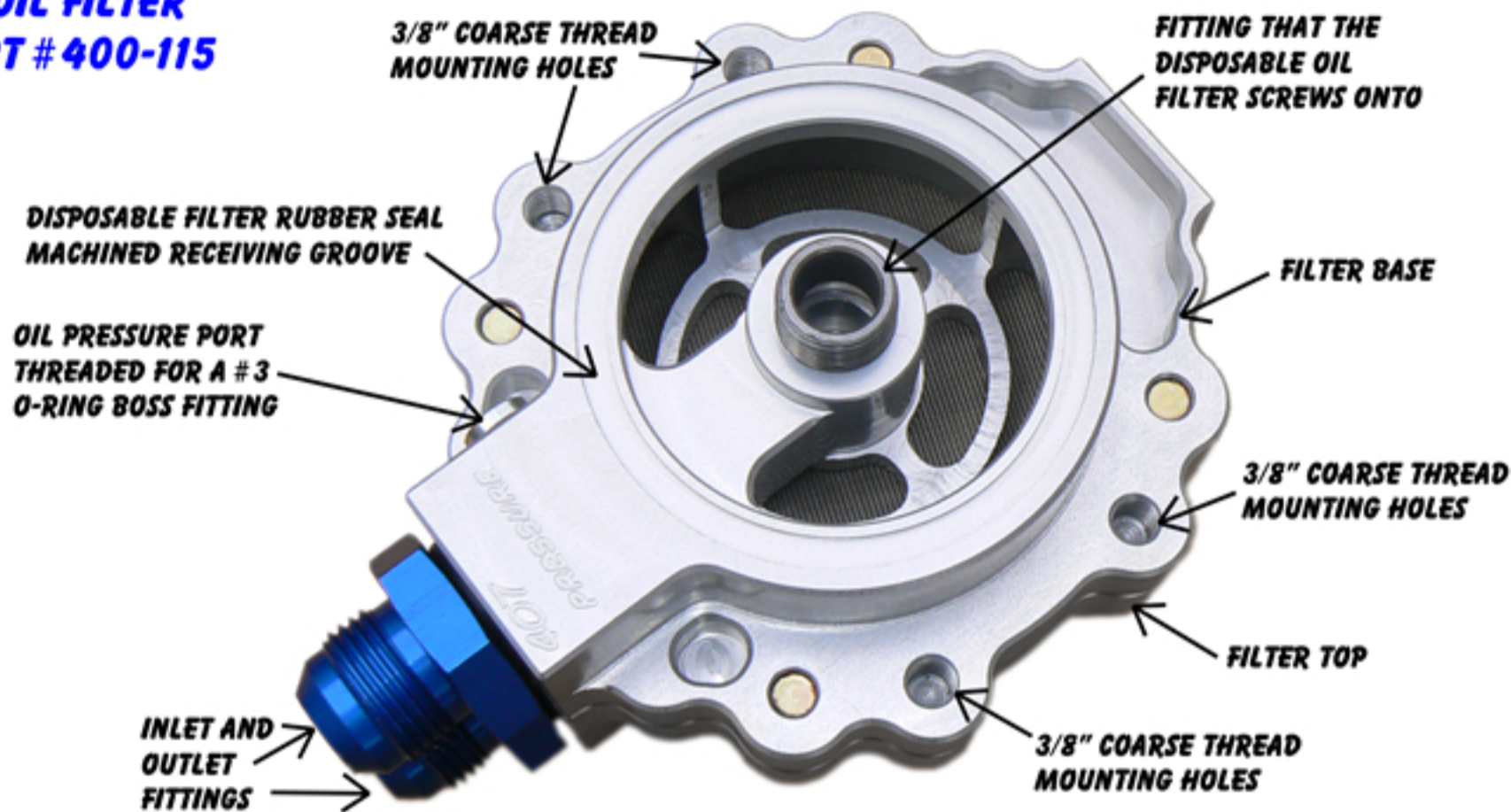


CLEAR VIEW FILTRATION 4" SCREW ON OIL FILTER ASSEMBLY DIRECTIONS PAGE #1 OF 2
MORE PRODUCTS AND INFORMATION AT: WWW.CLEARVIEWFILTRATION.COM OR WWW.BILLETCONNECTION.COM

CLEAR VIEW FILTRATION'S NEW PATENT PENDING SEE THROUGH FLUID FILTER ASSEMBLY ALLOWS THE USER TO VISUALLY SEE THE FLUID PUMPING THROUGH THE FILTER, WHICH HELPS IN DETERMINING THE CONDITION OF THE FLUID. WHEN FLUID IS NOT BEING PUMPED THROUGH THE FILTER, THIS FILTER ASSEMBLY CAN BE QUICKLY DRAINED USING COMPRESSED AIR, EXPOSING THE FILTER ELEMENT WHEN FILTERING NON TRANSPARENT FLUID LIKE ENGINE OIL. THIS ALLOWS THE USER TO VISUALLY SEE ANY CONTAMINANTS AND PARTICLES FILTERED OUT OF THE FLUID SYSTEM, SO THE USER CAN DETERMINE IF THE CONTAMINANTS AND PARTICLES ARE FROM NORMAL USE OR IF THE CONTAMINANTS AND PARTICLES ARE FROM PARTS EXCESSIVELY WEARING IN MACHINERY OR IN THE ENGINE SUPPLYING THE FILTER ASSEMBLY. THIS CAN BE DONE IN SECONDS AFTER THE SUPPLY OF FLUID IS TURNED OFF. THE USER CAN CHECK THE FILTER ELEMENT WITHOUT DRAINING OR LEAKING ANY FLUID, UNBOLTING OR LOOSENING ANY FASTENERS OR FITTINGS. PART #400-115 USES A CHEVY SCREW ON DISPOSABLE OIL FILTER.

SEE THROUGH OIL FILTERS ARE RATED FOR 150 PSI MAXIMUM PRESSURE AT A MAX FAHRENHEIT TEMP OF 200 DEGREES.

4" SCREW ON OIL FILTER ASSEMBLY PART #400-115



CLEAR VIEW FILTRATION'S GUARANTEE (IMPORTANT!! READ BEFORE INSTALLING)

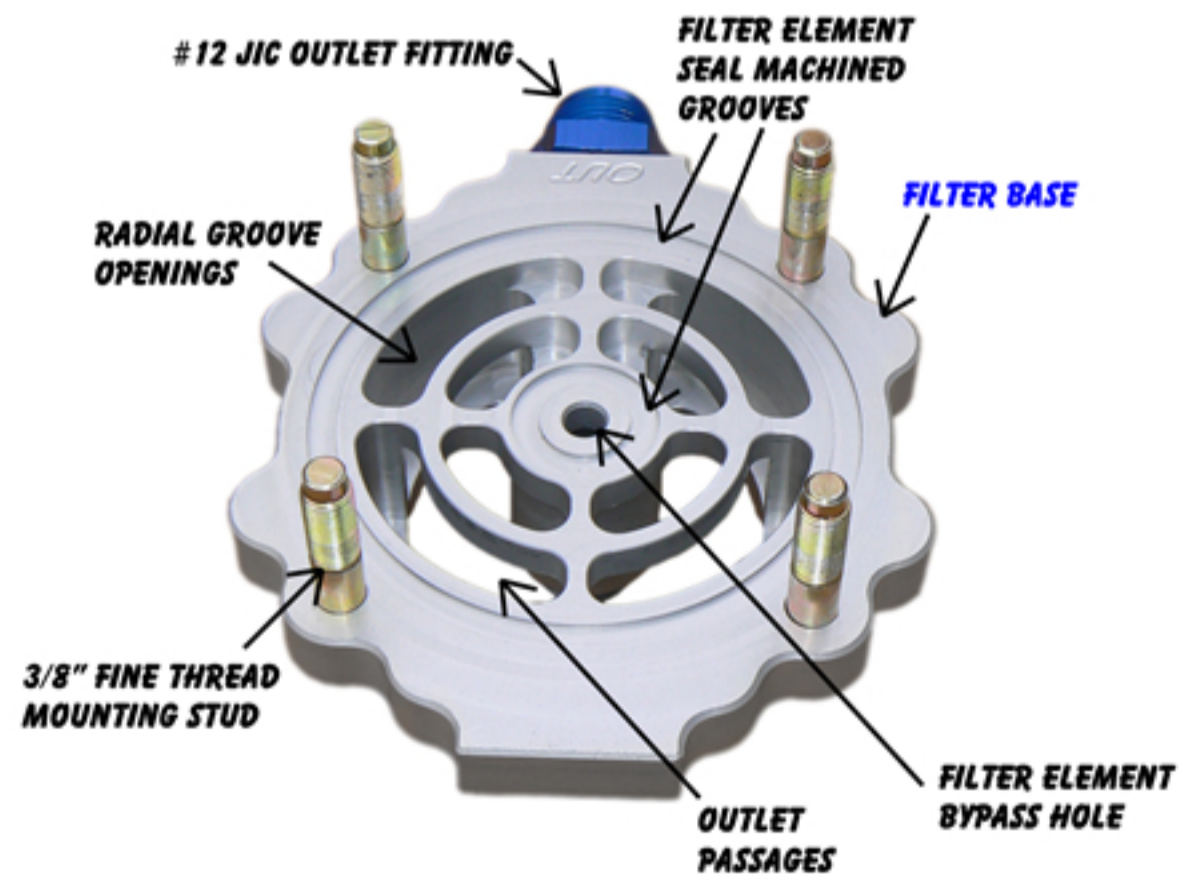
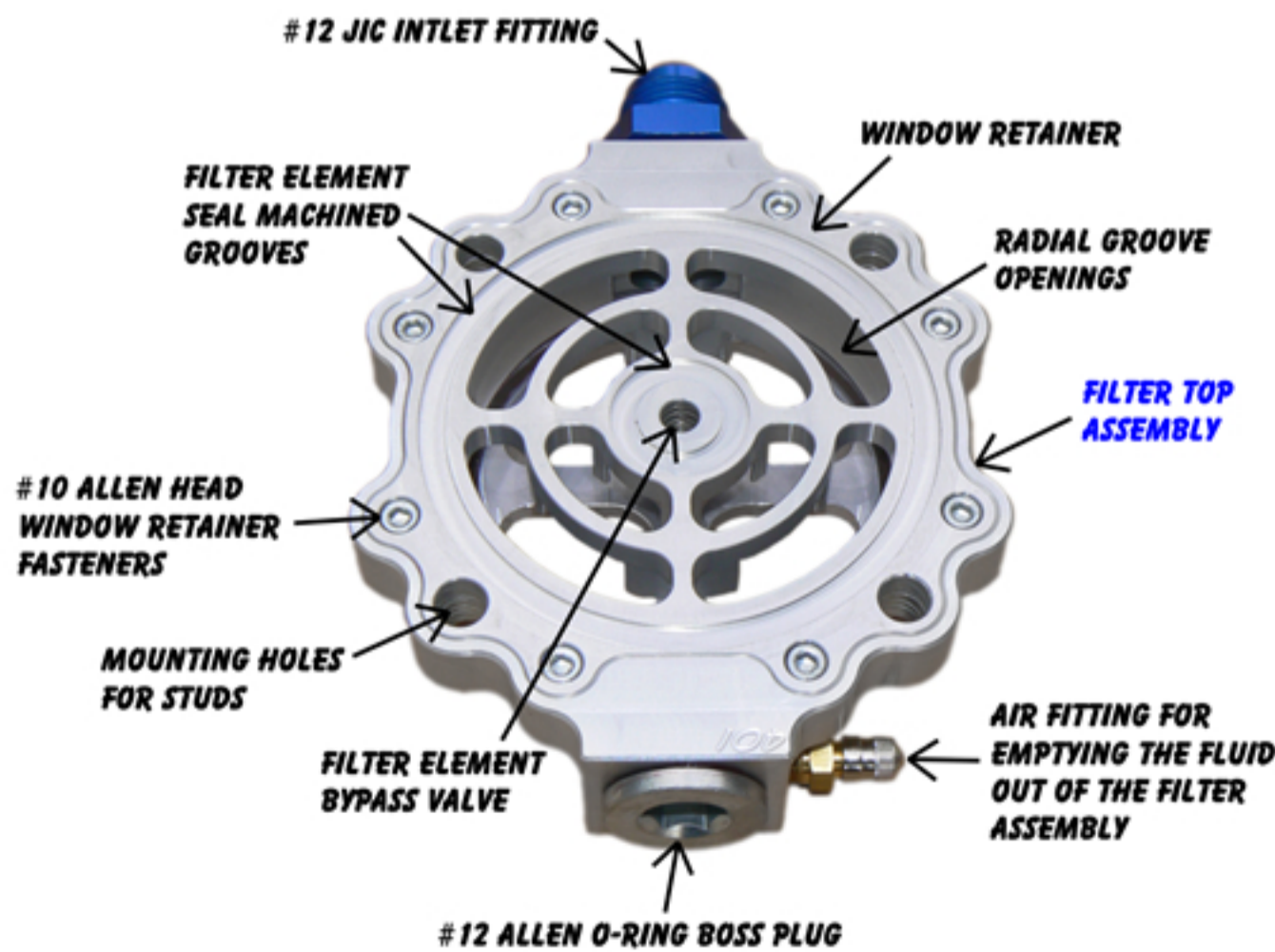
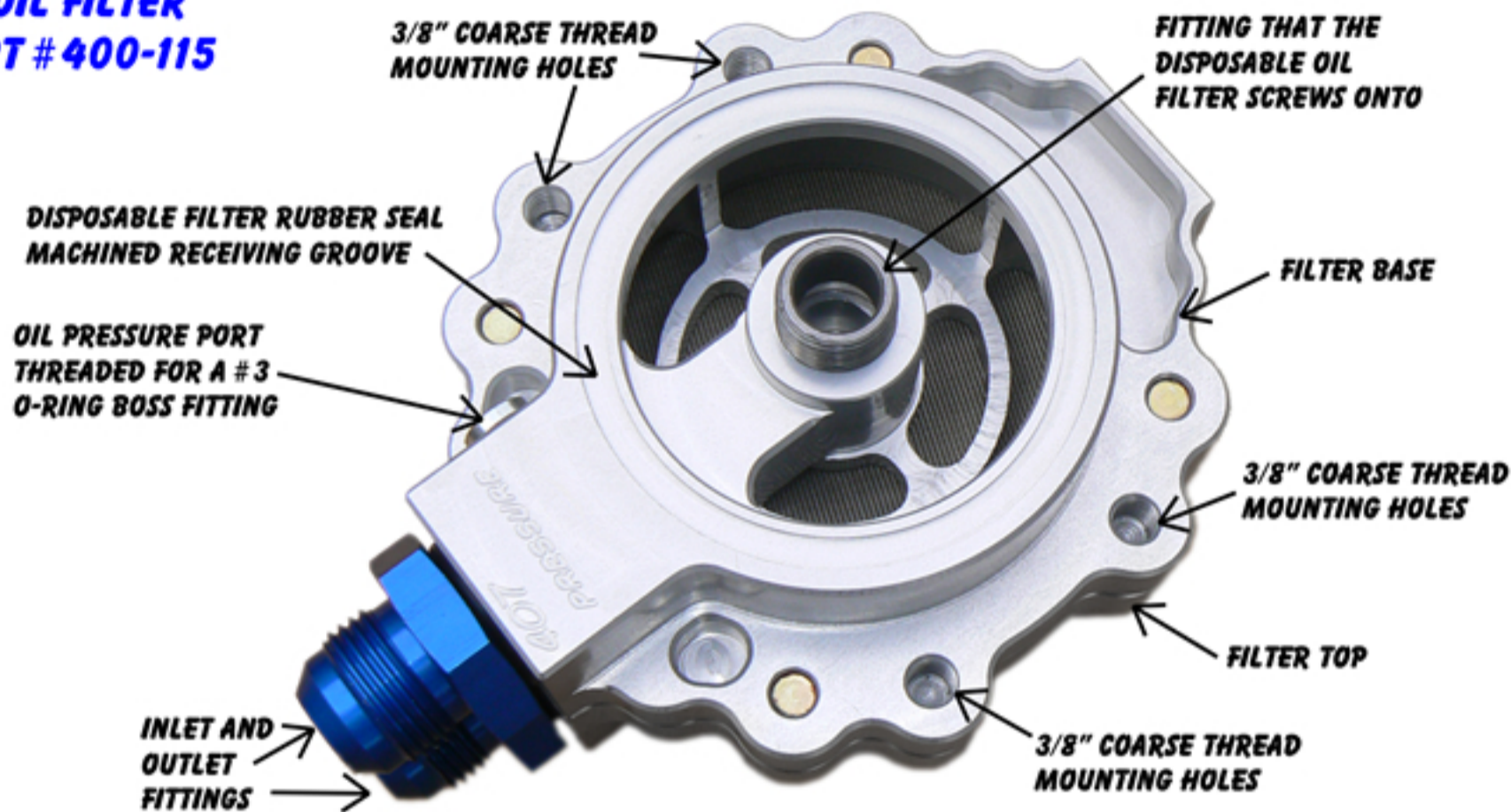
THIS OIL FILTER IS GUARANTEED FOR ONE YEAR FROM DATE OF PURCHASE TO BE FREE FROM DEFECTS IN MATERIALS AND WORKMANSHIP. WE SHALL IN NO EVENT BE LIABLE FOR DEATH, INJURIES, OR DAMAGES TO PERSONS OR PROPERTY ARISING FROM THE USE OF THIS PRODUCT. THIS INCLUDES DOWN TIME, LOSS OF USE OF THE PRODUCT, MACHINERY, OR VEHICLE. ALSO TOWING, RENTING OR BUYING A VEHICLE DURING DOWN TIME. IF THERE IS EVER A PROBLEM WITH THE FILTER ASSEMBLY, THE FILTER MUST BE SENT BACK TO CLEAR VIEW FILTRATION FOR ALL WARRANTIES OR GUARANTEE IS VOID. WE SHALL NOT BE LIABLE FOR SHIPPING COSTS OF THE FILTER ASSEMBLY, OR LABOR COSTS TO UNHOOK OR REINSTALL THE FILTER ASSEMBLY. IF THE FILTER ASSEMBLY IS INSTALLED THE PURCHASER AND OR USER OF THE PRODUCT IS AGREEING TO THE TERMS ABOVE. IF THE PURCHASER AND OR USER OF THE PRODUCT DOES NOT AGREE TO THE TERMS ABOVE, AND THE FILTER ASSEMBLY WAS NOT DAMAGED, SCRATCHED, OR INSTALLED. THEN CONTACT US AT CLEAR VIEW FILTRATION AND SEND THE FILTER ASSEMBLY BACK AND WE WILL GIVE THE PURCHASER A FULL REFUND.

CLEAR VIEW FILTRATION 4" SCREW ON OIL FILTER ASSEMBLY DIRECTIONS PAGE #1 OF 2
MORE PRODUCTS AND INFORMATION AT: WWW.CLEARVIEWFILTRATION.COM OR WWW.BILLETCONNECTION.COM

CLEAR VIEW FILTRATION'S NEW PATENT PENDING SEE THROUGH FLUID FILTER ASSEMBLY ALLOWS THE USER TO VISUALLY SEE THE FLUID PUMPING THROUGH THE FILTER, WHICH HELPS IN DETERMINING THE CONDITION OF THE FLUID. WHEN FLUID IS NOT BEING PUMPED THROUGH THE FILTER, THIS FILTER ASSEMBLY CAN BE QUICKLY DRAINED USING COMPRESSED AIR, EXPOSING THE FILTER ELEMENT WHEN FILTERING NON TRANSPARENT FLUID LIKE ENGINE OIL. THIS ALLOWS THE USER TO VISUALLY SEE ANY CONTAMINANTS AND PARTICLES FILTERED OUT OF THE FLUID SYSTEM, SO THE USER CAN DETERMINE IF THE CONTAMINANTS AND PARTICLES ARE FROM NORMAL USE OR IF THE CONTAMINANTS AND PARTICLES ARE FROM PARTS EXCESSIVELY WEARING IN MACHINERY OR IN THE ENGINE SUPPLYING THE FILTER ASSEMBLY. THIS CAN BE DONE IN SECONDS AFTER THE SUPPLY OF FLUID IS TURNED OFF. THE USER CAN CHECK THE FILTER ELEMENT WITHOUT DRAINING OR LEAKING ANY FLUID, UNBOLTING OR LOOSENING ANY FASTENERS OR FITTINGS. PART #400-115 USES A CHEVY SCREW ON DISPOSABLE OIL FILTER.

SEE THROUGH OIL FILTERS ARE RATED FOR 150 PSI MAXIMUM PRESSURE AT A MAX FAHRENHEIT TEMP OF 200 DEGREES.

4" SCREW ON OIL FILTER ASSEMBLY PART #400-115



CLEAR VIEW FILTRATION'S GUARANTEE (IMPORTANT!! READ BEFORE INSTALLING)

THIS OIL FILTER IS GUARANTEED FOR ONE YEAR FROM DATE OF PURCHASE TO BE FREE FROM DEFECTS IN MATERIALS AND WORKMANSHIP. WE SHALL IN NO EVENT BE LIABLE FOR DEATH, INJURIES, OR DAMAGES TO PERSONS OR PROPERTY ARISING FROM THE USE OF THIS PRODUCT. THIS INCLUDES DOWN TIME, LOSS OF USE OF THE PRODUCT, MACHINERY, OR VEHICLE. ALSO TOWING, RENTING OR BUYING A VEHICLE DURING DOWN TIME. IF THERE IS EVER A PROBLEM WITH THE FILTER ASSEMBLY, THE FILTER MUST BE SENT BACK TO CLEAR VIEW FILTRATION FOR ALL WARRANTIES OR GUARANTEE IS VOID. WE SHALL NOT BE LIABLE FOR SHIPPING COSTS OF THE FILTER ASSEMBLY, OR LABOR COSTS TO UNHOOK OR REINSTALL THE FILTER ASSEMBLY. IF THE FILTER ASSEMBLY IS INSTALLED THE PURCHASER AND OR USER OF THE PRODUCT IS AGREEING TO THE TERMS ABOVE. IF THE PURCHASER AND OR USER OF THE PRODUCT DOES NOT AGREE TO THE TERMS ABOVE, AND THE FILTER ASSEMBLY WAS NOT DAMAGED, SCRATCHED, OR INSTALLED. THEN CONTACT US AT CLEAR VIEW FILTRATION AND SEND THE FILTER ASSEMBLY BACK AND WE WILL GIVE THE PURCHASER A FULL REFUND.