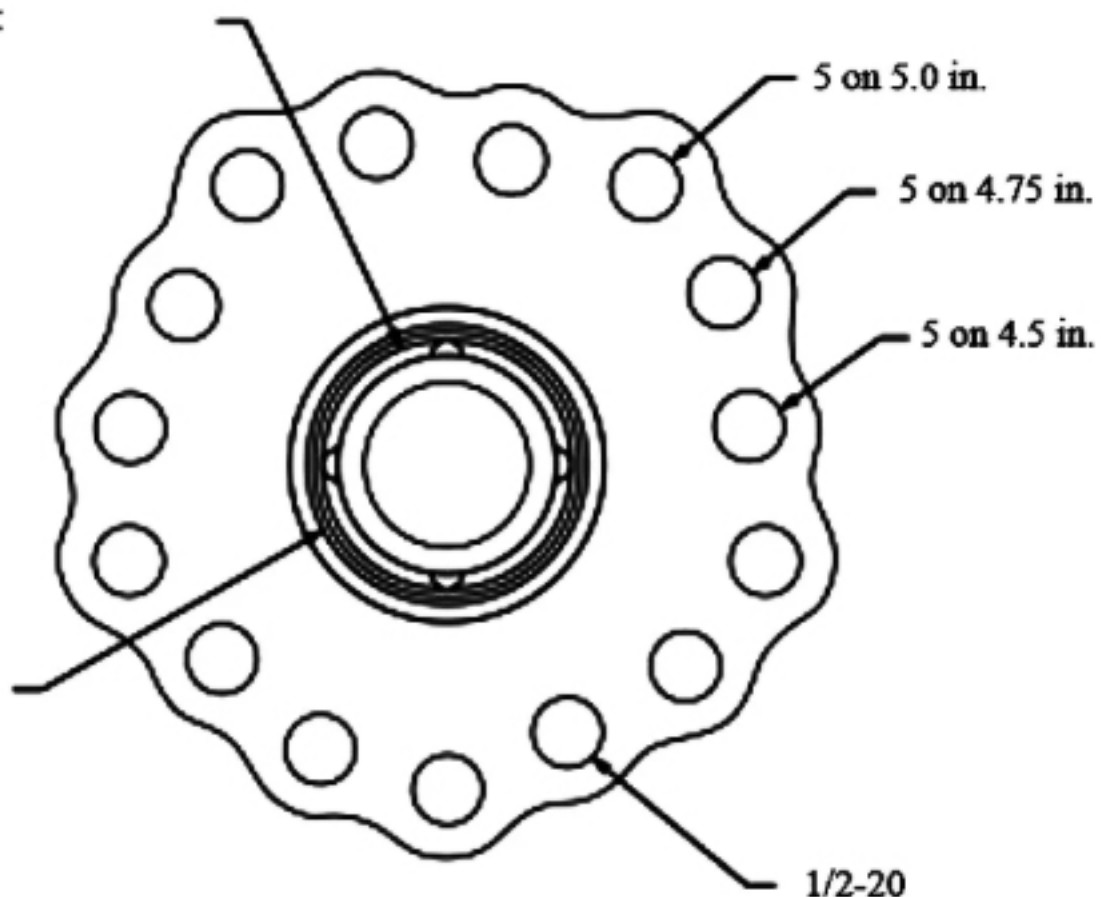
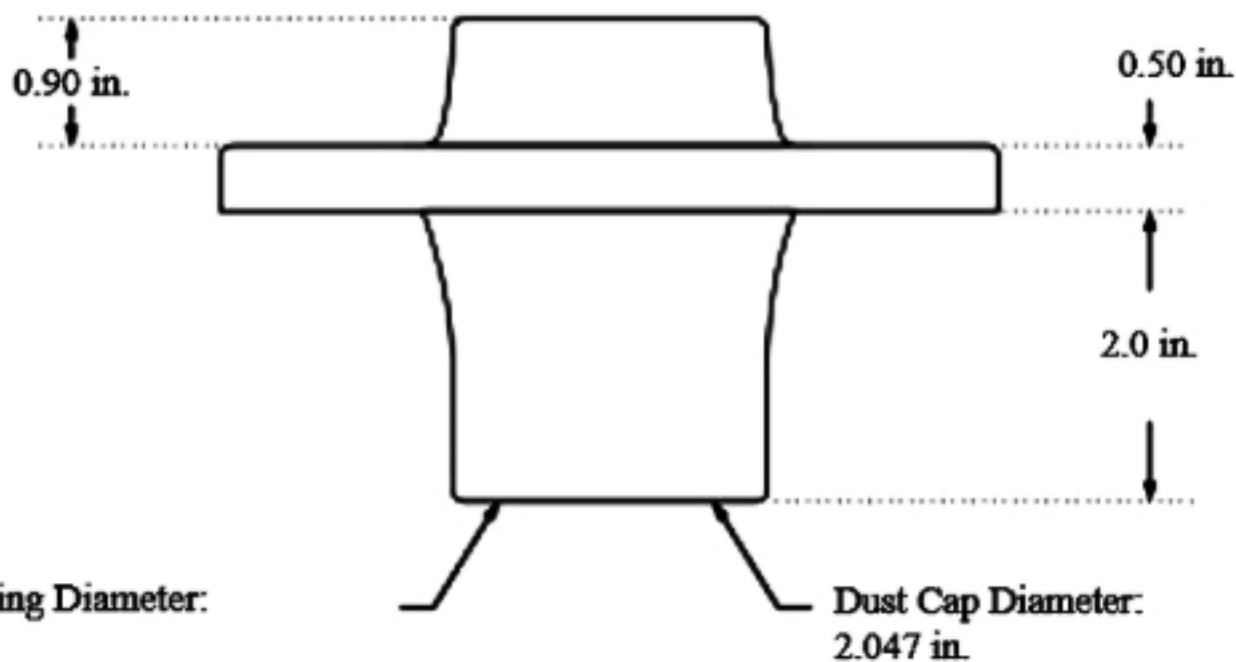


Billet Wheel Hub: C42-590

Inner Bearing Diameter:
2.045 in.



Seal Diameter:
2.123 in.



Dimensions listed may vary within manufacturing tolerances.